

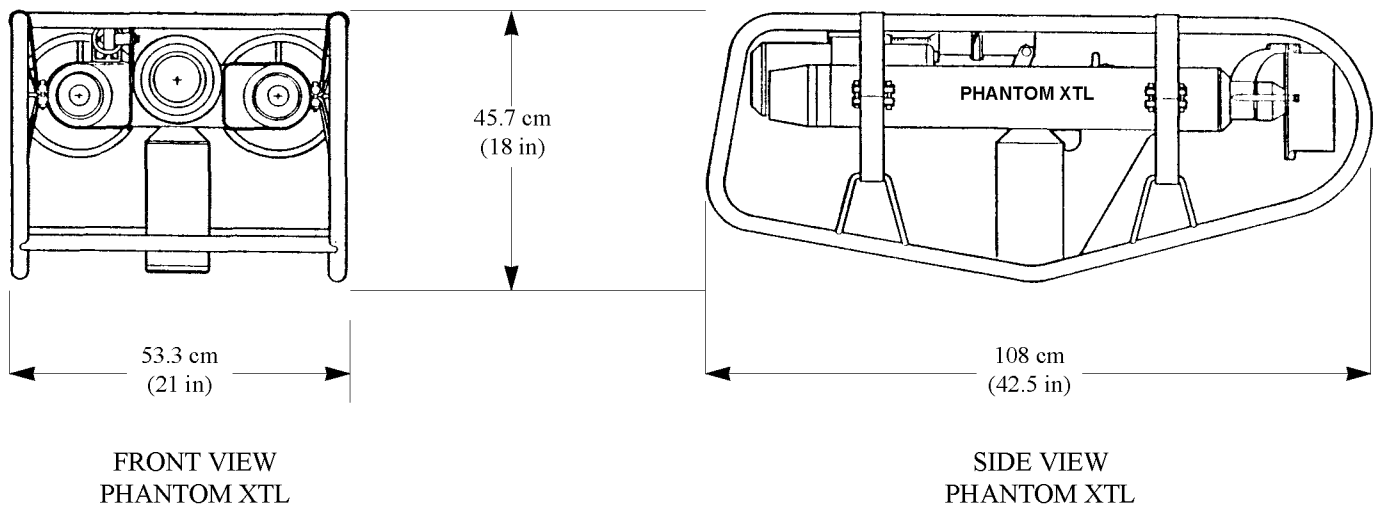
# PHANTOM XTL

## SPECIFICATIONS

<p align="center"><b>PERFORMANCE</b></p> <p>Forward thrust</p> <p>Cruise            24 lb            11 kg</p> <p>Full                41 lb            19 kg</p> <p>Speed*            2 knots</p> <p>Payload            13 lb            5.9 kg</p> <p><small>*In basic configuration</small></p>			<p align="center"><b>LIGHTS</b></p> <p>Tungsten-halogen 2 x 150 watt</p>		
<p align="center"><b>INSTRUMENTATION</b></p> <p>Fluid-gimballed flux gate compass</p> <p>Electronic depth gauge</p> <p>Leak detector</p>			<p align="center"><b>CAMERA</b></p> <p>DOE high-resolution color video camera</p> <p>PAL/NTSC - 450+lines - CCD</p> <p>Recessed, hardened port</p> <p>Preset manual camera tilt adjustment</p> <p>Auto-iris, wide angle lens</p> <p>Remote focus drive</p> <p>External motorized camera tilt actuator (+/- 90 degrees)</p>		
<p align="center"><b>STANDARD CABLE</b></p> <p>Length             400 ft            120 m</p> <p>Diameter           0.8 in            20 mm</p> <p>Weight in water   Neutral</p>			<p align="center"><b>OPTIONS</b></p> <p>550 ft (165 meter) cable (requires junction/power booster box)</p> <p>Lateral thruster</p> <p>Modular flotation/payload kit</p> <p>On-Screen Display</p> <p>Manipulators</p> <p>Grabber-cutter</p> <p>Third-party video cameras</p> <p>Still cameras</p> <p>Acoustic navigation system</p> <p>Computer automated control system</p> <p>Variable light dimmer</p> <p>Spares kits</p> <p>Call DOE for additional options</p>		
<p align="center"><b>POWER REQUIREMENTS</b></p> <p>Input voltage      120/240 VAC</p> <p>Frequency          50/60 Hz</p> <p>Power rating       1.2 kVA</p>					
<p align="center"><b>GENERAL</b></p> <p>Weight*            100 lb            45 kg</p> <p>Max. operating depth 500 ft            150 m</p> <p>Design depth      750 ft            230 m</p> <p><small>*In basic configuration</small></p>					

Specifications subject to change, please contact Deep Ocean for latest updates

PXTL-0796A



1431 Doolittle Drive, San Leandro, CA 94577 - USA  
Ph.: 510-562-9300- Fax: 510-430-8249